

# EXAMPLES: FRAMING & FOOTING FOR DECKS

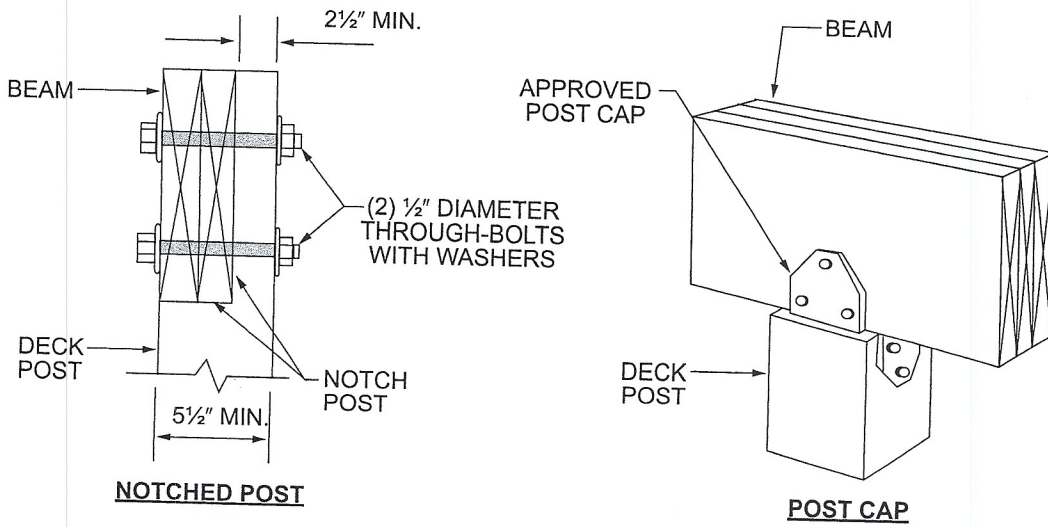


FIGURE R507.7.1  
DECK BEAM TO DECK POST

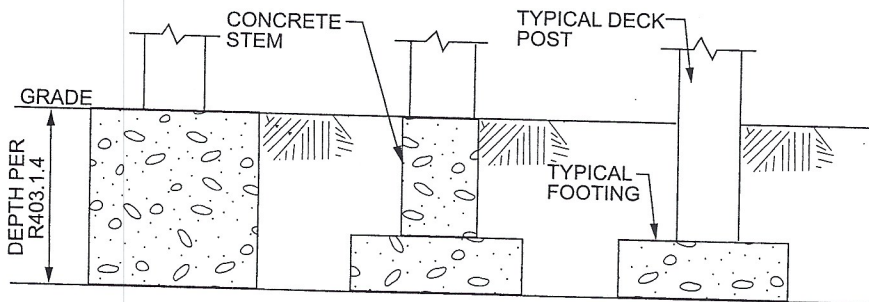


FIGURE R507.8.1  
TYPICAL DECK POSTS TO DECK FOOTINGS